

TAGARNO

seeing solutions

TAGARNO MAGNUS HD

MAGNUS HD combines HD technology's supremely sharp images and the microscope's ability to magnify with the opportunity of a correct work posture in a safe, ergonomic and flexible digital magnification system.



MAGNUS HD

Innovation and quality

MAGNUS HD can magnify up to 105 times, which allows you to view even the most minute details.

The HD image quality even makes it possible to use a lower magnification than you are used to if you wish to obtain a better overview of what you are working on. You can see things clearly – even at low magnification.



MAGNUS HD

Go pro

You can set up a complete work station by upgrading the MAGNUS HD with an XPRO control box and XPRO software.

The XPRO control box provides you with a PC connection, a snapshot function and access to a series of advanced camera settings.



MAGNUS HD

Go pro

The snapshot (image saving) function makes it possible to make a still image of what you see under the camera and save it on the PC for further electronic processing and documentation of what you are working on.

The split screen function makes it possible to divide the monitor between what you are looking at under the camera and what you are working on on the PC. You can, for instance, look at a reference image or diagram on the PC while you are checking a printed circuit board (PCB) under the camera.



MAGNUS HD

A question of posture

By the help of a series of optional products you have the opportunity also to vary your work position when you are working with MAGNUS HD. No matter whether you prefer to sit or stand, or work with the monitor in front of you or next to you, you can design your work station to suit your needs.



“A correct approach to ergonomics and a good working environment provide more energy, better results, quicker processing and less sickness absence. “

TAGARNO
seeing solutions

MAGNUS HD

Focus on the monitor

In order to obtain the best possible image quality it is important to choose the right monitor.

We recommend a widescreen monitor (16:9 format) with DVI input and 2 ms response time that supports HD 720p to achieve optimum image quality.



"We offer a 22" monitor of high quality when it comes to both image quality and longevity."

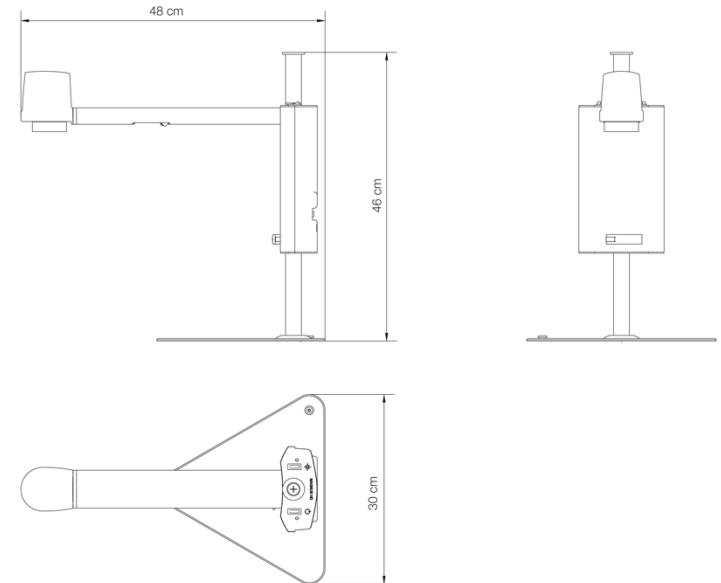
TAGARNO
seeing solutions



MAGNUS HD

Technical specifications

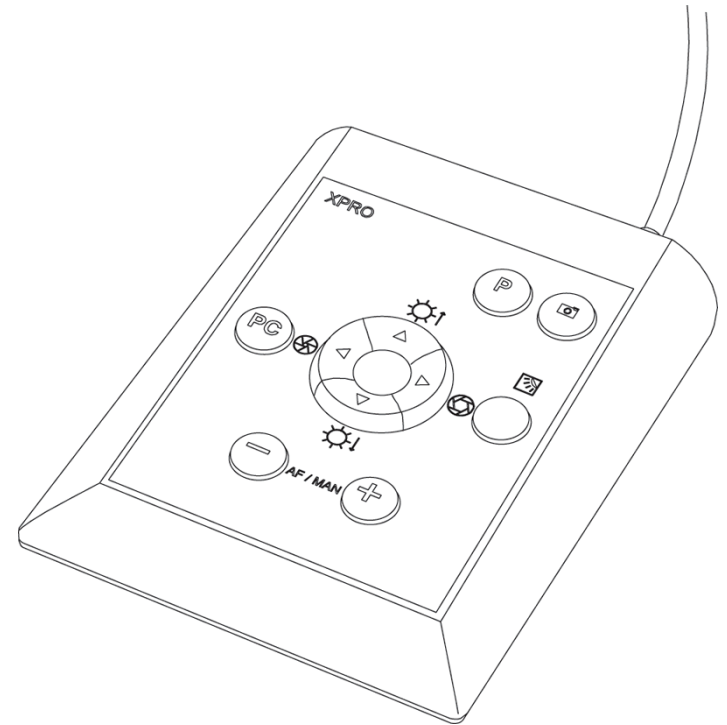
Dimensions:	H: 46 cm, W: 30 cm, D: 48 cm
Weight:	5.1 kg
Power consumption:	14W
Storage:	-20 - +60 C, 5 - 90 % RH
Operation:	0 - +45 C, 5 - 90 % RH
Work height:	Min: 20 cm, max: 41,5 cm
Work depth:	37 cm
Monitor Format Detect:	Yes
Plug connections:	DVI output and DVI input, USB 2.0, Sub-D 9pol for control box
Zoom:	10x optical + 2x digital
Camera solution:	HD720p, 1280x720@50/60Hz
Autofocus:	Yes
Iris:	F1.8 to F26



XPRO

Technical specifications

Dimensions:	H: 1.2 cm, W: 6.9 cm, D: 10.6 cm
Functions:	Zoom with auto-focus and manual focus Snapshot function Irish and Gain adjustment Split screen function Memory function (programming key) White balance adjustment
Maximum angle:	44 °
Minimum angle:	2.5 °





XPRO

System requirements

PC Hardware

At least one available USB 2.0 port
Graphic card with DVI-D or HDMI output
Resolution 1280x720 60Hz (required for split-screen function)

Supported operative systems

Windows 2000
Windows XP (32 bit)
Windows Vista (32 bit)
Windows 7 (32 bit)

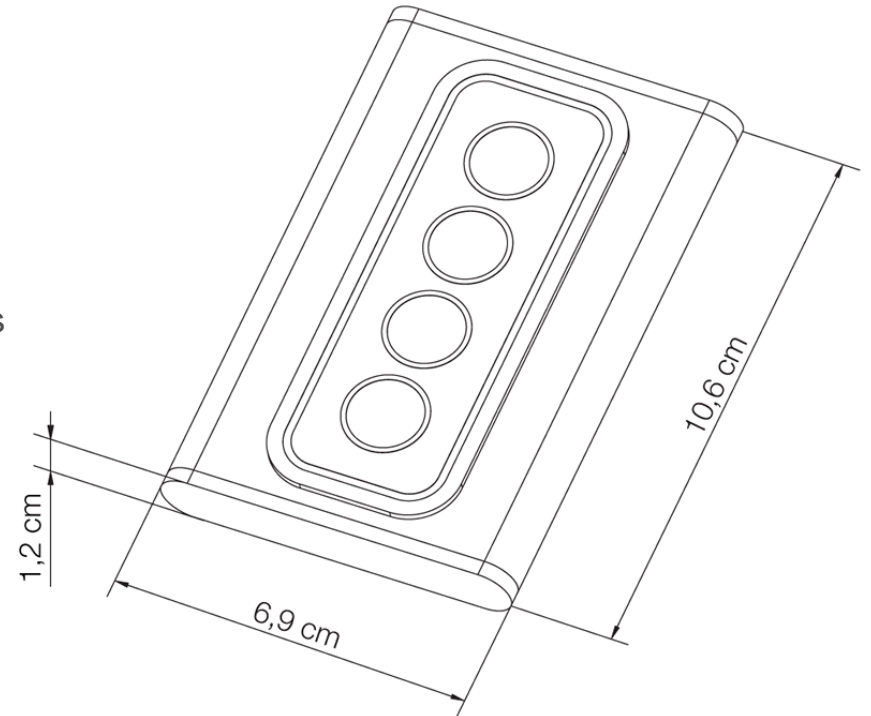
PC software

Microsoft .NET framework 2.0 (or later)
Microsoft Outlook XP 2003 or 2007 (required for mail-function)
Primary Interop Assembly (PIA) for Microsoft Office

XLINK

Technical specifications

Dimensions: H: 1.2 cm, W: 6.9 cm, D: 10.6 cm
Functions: Zoom with auto focus and manual focus



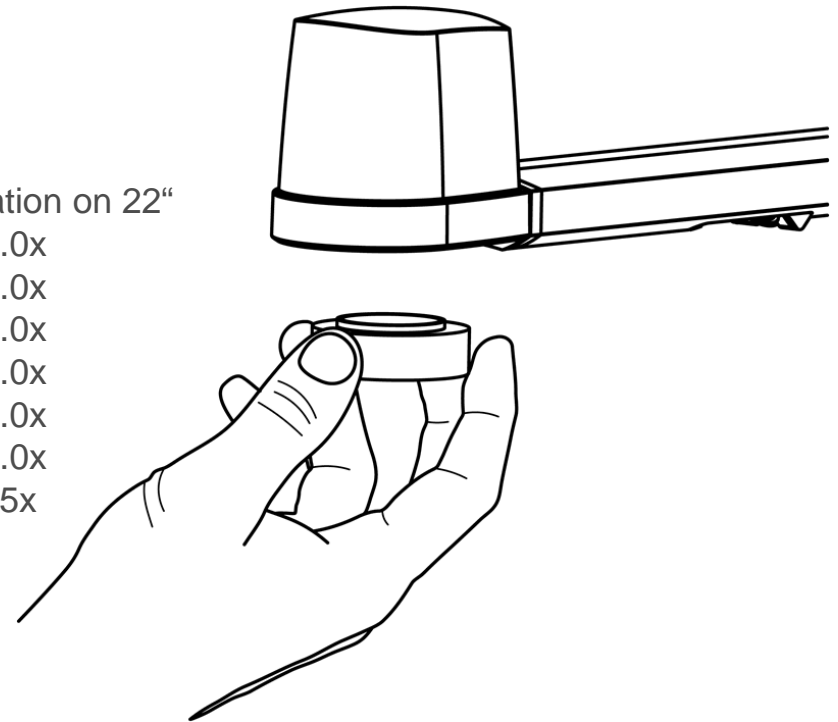


Lenses

Technical specifications

Dimensions: Ø52 mm

Lenses	Lense to object distance	Magnification on 22"
+3	330 mm	1.6x – 32.0x
+4	250 mm	2.2x – 41.0x
+5	200 mm	2.8x – 52.0x
+3 and +4	138 mm	3.9x – 73.0x
+3 and +5	120 mm	4.4x – 80.0x
+4 and +5	105 mm	5.0x – 95.0x
+5 and +5	100 mm	6.0x – 105x



MAGNUS HD Accessories

- HD 22" widescreen monitor
- Lenses, +3, +4, +5
- Mounting arm for monitor
- Table and wall holder for monitor
- Keyboard holder
- Table and wall holder for monitor arm
- Keyboard holder
- XY table
- LED lighting
- Circular tilting table
- Foot switch
- Aluminium case for transport
- Cleaning kit

